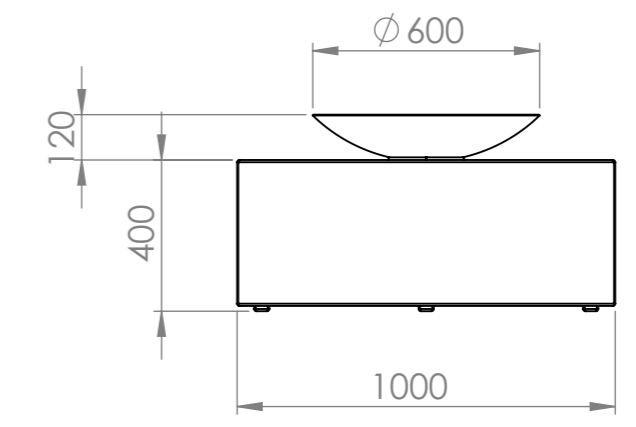
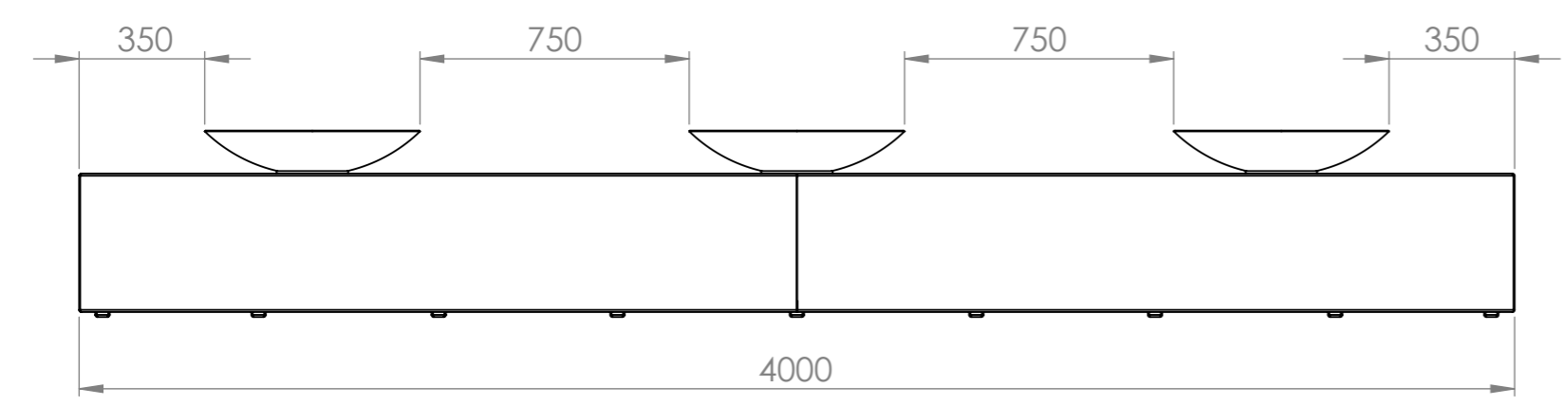
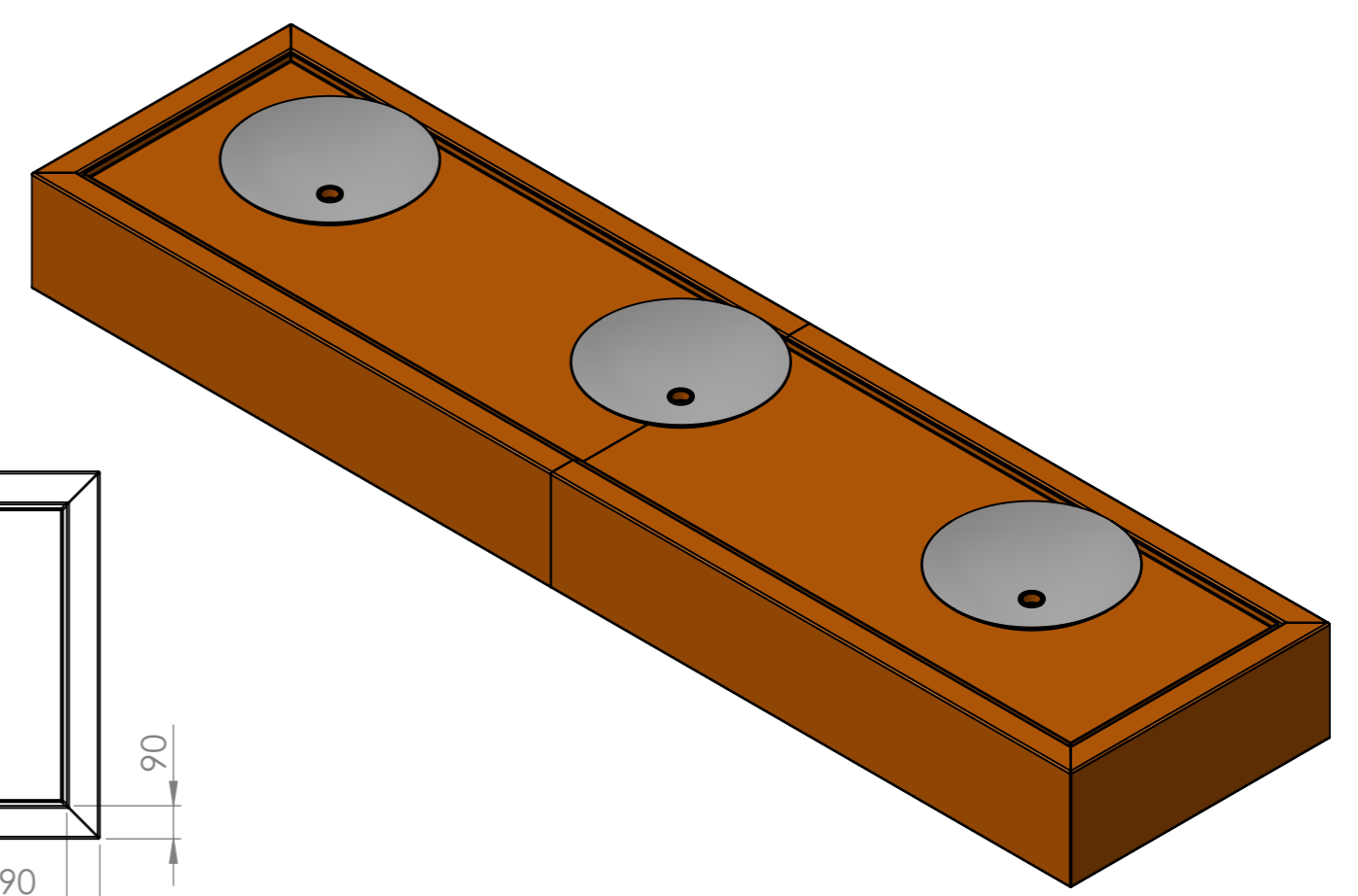
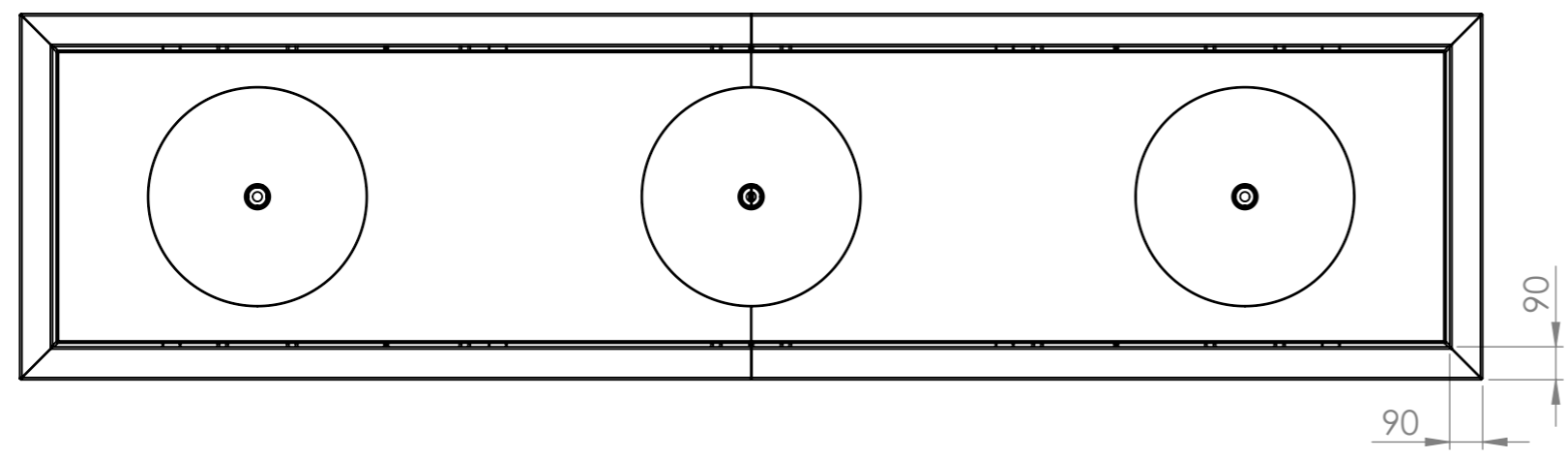


1 2 3 4 5 6 7 8

A  
B  
C  
D  
E  
F



DRAWN	Luuk van den Heuvel	DATE	4-12-2019
REVISION			

TITLE: Corten



Liessentstraat 4, 5405 AG Uden (NL).  
 t 0031 (0)413 - 27 41 68.  
 e info@adezz.com, i www.adezz.com

Drawing: CBS3 A3

Color: - Mass (kg): 343.27 SCALE:1:20 SHEET 1 OF 2

1 2 3 4